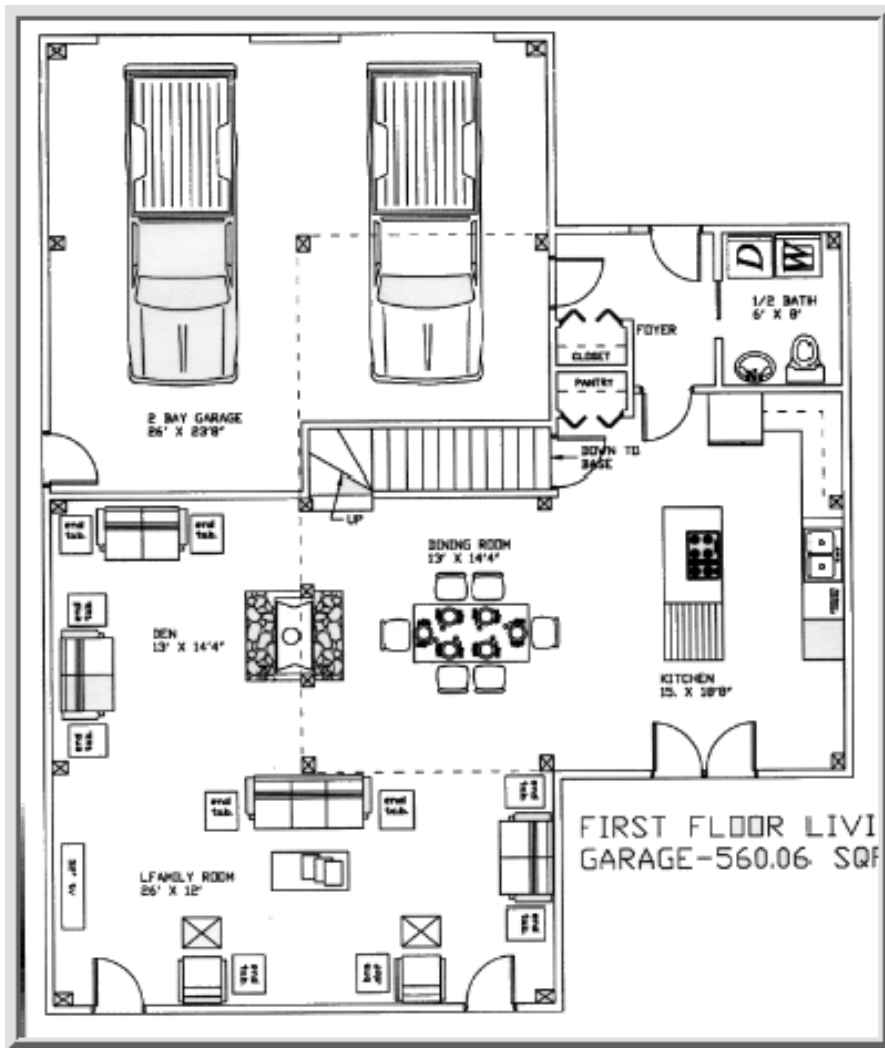




# Cabin Creek Timber Frames

*Building Tomorrow's Historic Homes Today™*

## Timber Frame Homes - The Tusquitee Floor Plans and Elevations

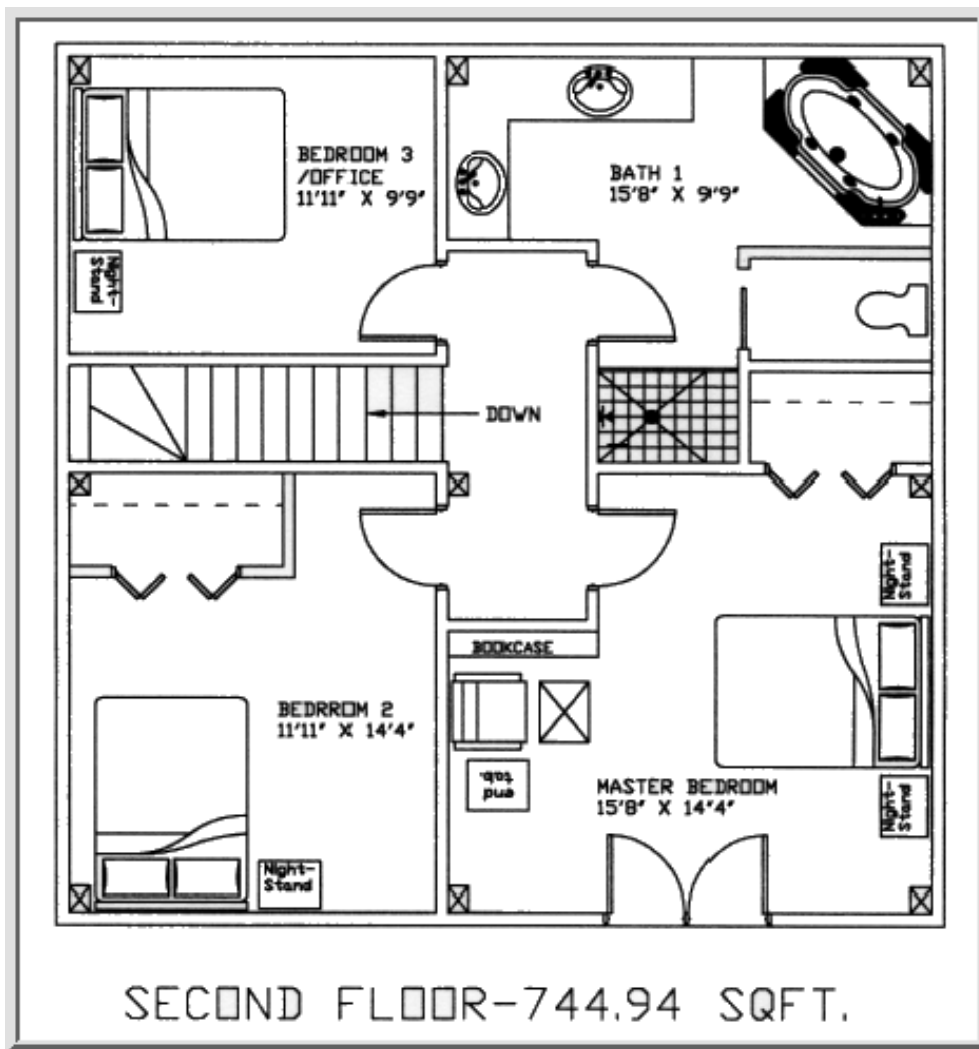


Ports of entry into the Tusquitee's first floor are numerous and a real plus to the busy active timber frame home owners.

The Tusquitee timber frame home plan has a large coat closet and half-bath and laundry center off the foyer.

The Tusquitee offers a modified corridor kitchen with ample pantry and counter space. Large French doors off the kitchen invite you outside.

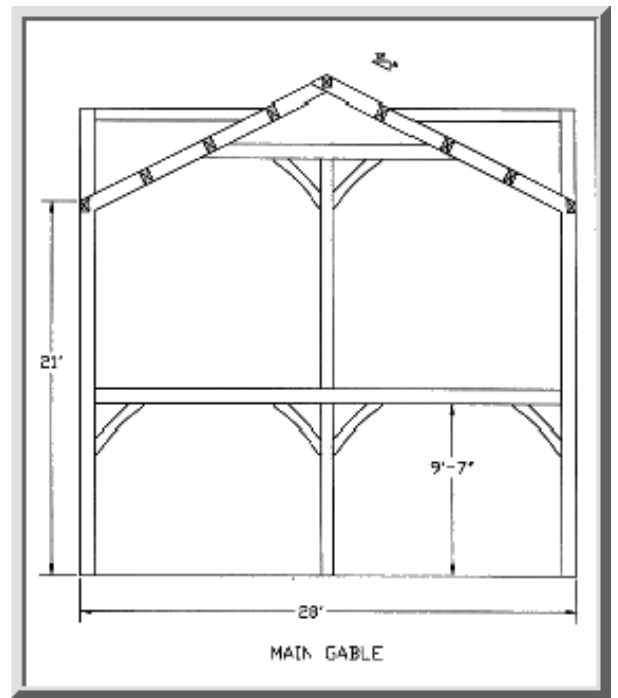
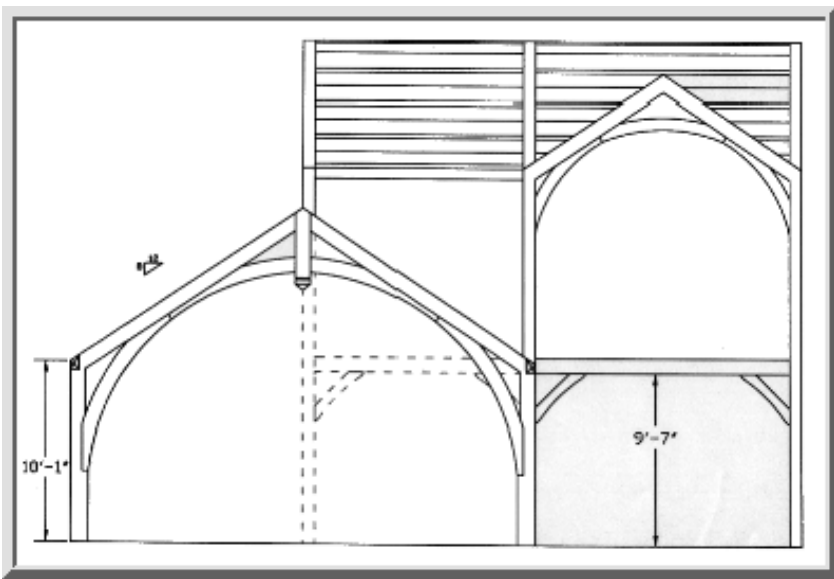
The Tusquitee timber frame home has a large dining area in which to enjoy family and friends. The dining room and L-shaped den/living room areas share an eye-catching double sided fireplace. The L-shaped dining/living room areas afford the whole family pockets of coziness within the larger whole.



You ascend the stairs in the Tusquitee from the den/ dining room area. The master bedroom affords you a quiet retreat from your busy hectic world. It has a large closet and bed-sitter area. French doors invite the outside in.

Two more large rooms are located on the Tusquitee's second floor; one we have shown as a bedroom with ample closet space, the other could be used as a den or home office. The two rooms share the spacious bathroom. The bathroom features double sinks, whirlpool or soaking tub, separate shower and separate enclosure for the water closet. The Tusquitee timber frame home is 1905 sq ft packed full of 'living area'. The Tusquitee invites you the timber frame home owner to enjoy the outside and life in general; as is suggestive of its name.

*Please keep in mind this is only a suggested floor plan. The timber frame home is structural in and of itself. The exterior walls are NOT used to support the house and therefore doors, windows; walls may be placed where you, the home owner, wishes.*



## Cabin Creek Timber Frames

6624 Georgia Rd. - Franklin, NC 28734

Toll Free Phone: **(877) 369 – 5899**

Phone: **(828) 369 - 5899**

Or

**(828) 349 – 0734**

Fax: **(828) 369 - 8512**

**[info@cabincreektimberframes.com](mailto:info@cabincreektimberframes.com)**

Copyright © 2006 Cabin Creek Timber Frames